

# MoviSight

MS7033SL-IR-ATP

## 2MP 33× Starlight IR POE AI PTZ Camera



### KEY FEATURES

- Up to 1920×1080@30fps
- Min. illumination Color: 0.001Lux@F1.6
- Optical zoom: 33×, digital zoom 16×
- Smart IR, IR Range: 150m
- S+265/H.265/H.264/M-JPEG
- Intelligent monitoring/ Face Capture mode
- Plugin Free
- IP66
- Auto-tracking

# MoviSight

## SPECIFICATIONS

<b>Camera</b>	
<b>Image Sensor</b>	1/2.8" CMOS
<b>Signal System</b>	PAL/NTSC
<b>Min. Illumination</b>	Color: 0.001lux@ (F1.6, AGC ON), BW: 0lux with IR
<b>Shutter Time</b>	1s to 1/100,000s
<b>Day &amp; Night</b>	Dual IR Cut Filter with Auto Switch
<b>Wide Dynamic Range</b>	140dB
<b>Optical Zoom</b>	33×
<b>Digital Zoom</b>	16×
<b>Lens</b>	
<b>Focal Length</b>	4.6mm~152mm
<b>Zoom Speed</b>	<4s
<b>Angle of View</b>	Horizontal: 60.0° (w)~2.3° (t) Vertical: 34.4° (w)~1.5° (t)
<b>Aperture Range</b>	F1.6~F4.3
<b>Pan&amp;Tilt</b>	
<b>Pan Range</b>	360°
<b>Pan Speed</b>	Pan Manual Speed: 0.1°~180°/s, Pan Preset Speed: 240°/s
<b>Tilt Range</b>	-16°~90° (Auto flip)
<b>Tilt Speed</b>	Tilt Manual Speed: 0.1°~120°/s, Tilt Preset Speed: 120°/s
<b>3D Position</b>	Yes
<b>Presets</b>	500
<b>Preset Accuracy</b>	±0.4°
<b>Scan</b>	8
<b>Cruise</b>	16, up to 32 presets per cruise
<b>Pattern</b>	8, each with 600s memory or 1000 orders
<b>Power-off Memory</b>	Yes
<b>RS-485 Protocols</b>	N/A
<b>Illuminator</b>	
<b>IR LEDs</b>	10
<b>IR Range</b>	Up to 200m
<b>IR Irradiation Angle</b>	Adjustable by Zoom
<b>White LEDs</b>	N/A
<b>Compression Standard</b>	
<b>Video Compression</b>	S+265/H.265/H.264/M-JPEG
<b>Video Bit Rate</b>	32Kbps~16Mbps
<b>Audio Compression</b>	G.711A/G.711U/ADPCM_D/AAC_LC
<b>Audio Bit Rate</b>	8K ~ 48Kbps
<b>Image</b>	
<b>Max. Resolution</b>	2.0MP (1920×1080)
<b>Main Stream</b>	PAL: 25fps (1920×1080, 1280×960, 1280×720, 704×576, 640×480) NTSC: 30fps (1920×1080, 1280×960, 1280×720, 704×576, 640×480)
<b>Sub Stream</b>	PAL: 25fps (704×576, 704×288, 640×360, 352×288) NTSC: 30fps (704×480, 704×240, 640×360, 352×240)
<b>Third Stream</b>	PAL: 25fps (1920×1080, 1280×960, 1280×720, 704×576, 640×480, 704×288, 352×288) NTSC: 30fps (1920×1080, 1280×960, 1280×720, 704×480, 640×480, 704×240, 352×240)
<b>Image Setting</b>	Saturation, brightness, contrast, sharpness, adjustable by client software or web browser
<b>Image Enhancement</b>	BLC/3D DNR/HLC
<b>ROI</b>	7 Areas for Both Main and Sub Stream, support auto-tracking ROI
<b>OSD</b>	16×16, 24×24, 32×32, 48×48, 64×64, adaptable size, Letters Such as Week, Date, Time, Total 5 Regions
<b>Picture Overlay</b>	Yes
<b>Privacy Mask</b>	Yes
<b>Smart Defog</b>	Yes

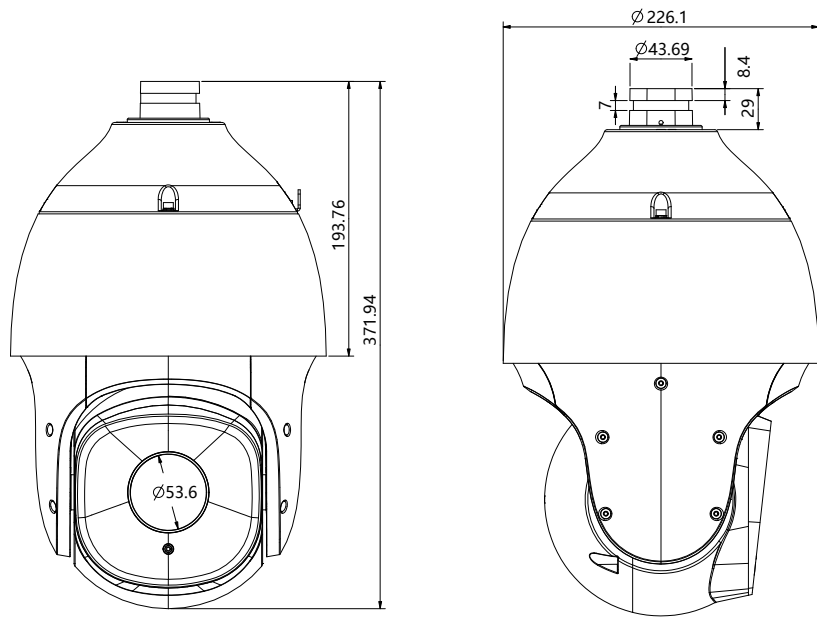
# MoviSight

<b>Feature</b>	
<b>Alarm Trigger</b>	Harsh Voice Alarm, Motion Detection, Mask Alarm, Port Alarm, Network Disable Alarm, IP Conflict, MAC Conflict Detection
<b>Video Analytics</b>	Tripwire, Double Tripwire, Perimeter, Object Abandon, Object Lost, People Counting, On Duty Detection, Safety Helmet Detection, Auto tracking, Packing, Crowd, Heatmap, Video Abnormal, Audio Abnormal, Face Capture
<b>Early Warning(EW)</b>	N/A
<b>Auto-Tracking</b>	Yes
<b>Face Detection and Analytics</b>	
<b>Operating Mode</b>	Face capture, intelligent monitoring optional, default intelligent monitoring
<b>Face Detection Performance</b>	Detects up to 16 faces at the same scene
<b>Face Exposure Brightness</b>	Default 35, 1~100 brightness optional
<b>Min. Face Pixel</b>	Default 80, 19~1920 optional
<b>Precautionary Alert</b>	Three level
<b>Network</b>	
<b>Protocols</b>	TCP/IP, ICMP, HTTP, HTTPS, FTP, DHCP, DNS, DDNS, RTSP, PPPoE, NTP, UPnP, SMTP, IGMP, QoS, IPV4, IPV6, MULTICAST, RTMP, NFS, SMB/CIFS, SFTP, SRTMP
<b>System Compatibility</b>	ONVIF (PROFILE S/T/G/M), SDK, CGI, P2P
<b>ANR</b>	Auto store video in SD card when NVR disconnected, and upload video to NVR when resumed connection (Only Support Tiandy ANR NVR)
<b>Remote Connection</b>	≤7
<b>Client</b>	MoviSight, Nextiva VMS, Symphia VMS , Onvif SW
<b>Web Version</b>	web6
<b>Interface</b>	
<b>Communication Interface</b>	1 RJ45 10M/100M self adaptive Ethernet port
<b>Audio</b>	1/1
<b>Alarm</b>	1/1
<b>Speaker</b>	N/A
<b>Reset Button</b>	Yes
<b>On-board storage</b>	Built-in Micro SD card slot, up to 512 GB
<b>RS-485</b>	N/A
<b>BNC</b>	N/A
<b>Wiper</b>	N/A
<b>General</b>	
<b>Firmware Version</b>	-
<b>Web Client Language</b>	17 languages Simple Chinese, Traditional Chinese, English, Spanish, Korean, Italian, Turkish, Russian, Thai, French, Polish, Dutch, Hebrew, Arabic, Vietnamese, German, Ukrainian
<b>Operating Conditions</b>	-40°C~70°C (IR OFF), -40°C~40°C (IR ON), 0-95%RH
<b>Power Supply</b>	DC12V±10%/POE+
<b>Power Consumption</b>	14W(IR OFF), 24W(IR ON)
<b>Protection</b>	IP66, Lightning protection, surge protection and voltage transient protection meets EN 55035:2017
<b>Heater</b>	N/A
<b>Dimensions</b>	Φ222x372mm(Φ8.74×14.65inch)
<b>Weight</b>	5.3kg(11.68lb)

\* Listed resolutions are only selectable options. It does not mean that all streams can work at their maximum resolution at the same time.

# MoviSight

## DIMENSIONS (Unit: mm)



## ACCESSORIES

### INCLUDED



MS-7DF20Y  
Wall Mount

### OPTIONAL



MS-7A37  
Installation Adapter



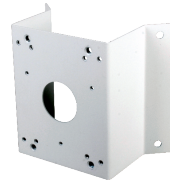
MS-7A38  
Ceiling Mount



MS-7DF21Y  
Pendant Mount



MS-7A36  
Pole Mount



MS-7A35  
Corner Mount



MS-7811  
Junction Box

DISTRIBUTED BY