

CS5000-IPMPX-PTZ-133-LC-4K



4K Industrial Low Energy Consumption IP PTZ 22X Zoom Camera



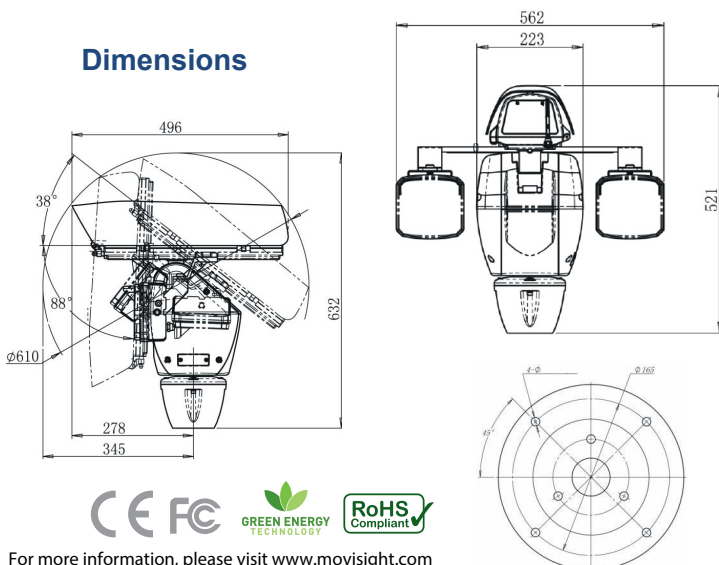
Features

- 4K Multiple Progressive Scan CMOS Sensor
- Multi Exposure HDR
- Multi Codec support (H.265 / H.264 / MJPEG)
- Quad Streams support
- Wiper with Nanotechnology Glass
- True Day/Night function (ICR)
- 3D Motion Compensated Noise Reduction
- Smart Event function- External Output/ Motion Detection/ Network Failure/ Detection/ Tampering Alarm/ Periodical Event/ Manual Trigger/ Audio Detection
- ONVIF Profile S/ G /Q/ T support
- Smart Low Bitrate control
- Optional IR or White lamps with Nanotechnology
- 256 preset positions
- Preset positions accuracy $\pm 0.02^\circ$
- 360° horizontal rotation at up to $0.1^\circ - 100^\circ/s$
- $-88^\circ - +38^\circ$ vertical rotation at up to $0.1^\circ - 100^\circ/s$
- 485 two-way transmission signal, the support of radar, intelligent
- Optional high precision preset position
- Protection class IP67 (Nema 4X)
- Support the standby power consumption is low than 5W
- Heater & Fan Built-in
- AC24V & DC24V double power input
- Can be working under the winds speed does not big than 144 kilometers;
- Can be bear the biggest winds speed 208 kilometers
- Video Analytics Perimeter, Abandoned Object, Object Lost, Loitering.

Camera	
Image Sensor	4K 1/1.8" Progressive CMOS
Effective Pixels	3864x2180 (4K)
Scanning System	Multiple Progressive Scan Cmos
Electronic Shutter Speed	1 s to 1/10,000 s
Min. Illumination	Color: 0.04 lux B/W: 0.002lux
Pixel Zise	2.5 μ m
Camera Features	
Day/Night	Auto(ICR) / Color / B/W
Wide Dynamic Range/HDR	Yes
EIS	Yes, With a built-in gyro minimizes the effects from vibration to ensure the sharp and smooth video.
White Balance	Auto, ATW, Indoor, Outdoor, Manual
Corridor Mode	$90^\circ, 180^\circ, 270^\circ$ rotation
Noise Reduction	3D DNR
Zoom	22x Optical // 10x Digital
Lens	
Focal Length	22x Zoom Lens 6.4-138.5mm, F1.5
Focus Control	Autofocus
Angle of View	H: 64° to 3° , V: 37° to 2°
PTZ	
Pan Rotation Range	$0^\circ \sim 360^\circ$ continuous
Tilt Rotation Range	$-88^\circ \sim +38^\circ$
Pan Speed	$0.1^\circ \sim 100^\circ/s$
Tilt Speed	$0.1^\circ \sim 100^\circ/s$
Preset	255
Preset Accuracy	0.02°
Scan Group	8/6
Wiper	Yes
Heater & Fan	Auto
Relay AUX Output	2
Video	
Compression	H.264/H.265/MJPEG
Resolution	3840 x 2160(8MP); 3200x1800; 1920x1080; 1280x1024; 1280x720; 1024x768; 800x600; 720x480; 640x480
Frame Rate	25/30 fps, 50/60fps Substream: 1080p/720p (28fps)
Bit Rate	64Kbps-10240Kbps
Network	
Ethernet	RJ-45 (10/100Base-T), SFP Optional
Protocol	ARP, PPPoE, IPv4/v6, ICMP, IGMP, QoS, TCP, UDP,DHCP, UPnP, SNMP, SMTP, RTP, RTSP, HTTP/S
ONVIF	Profile S/G/Q/T
Security	User Authentication/HTTPS/IP Filter/IEEE 802.1x
General	
Power Supply	AC 24V - DC 24V
Power Consumption	<25W (Heater and LED lamps Off)
Application	Industrial
Working Temperature	$-30^\circ\text{C} \sim 60^\circ\text{C}$
Working Humidity	$\leq 90\%$ RH (No condensing, no heating)
Protection Level	IP67 (NEMA 4X)
Dimensions	223x591x496 (W+H+L) Without IR // 562x591x496 (W+H+L) With IR
Material	Aluminum
Weight	20kgs

This product replace to CS5000-IPMPX-PTZ-130-LC

Dimensions



For more information, please visit www.movisight.com

Models

- **CS5000-IPMPX-122-L7-4K**

- **CS5000-IPMPX-122-LC: C-4K**

CS5000-IPMPX PTZ 4K, 22X Zoom, X-axis Wiper, Nanotechnology Window for extra Dust and Oil Protection, Low Energy Consumption

Accessories

- **CS5000-IPMPX-TPA**
CS5000-IPMPX Series Standard Top Pole Mount Adapter, Aluminium.
- **CS5000-IPMPX-WMA**
CS5000-IPMPX Series Standard Wall Mount Adapter, Aluminium.
- **CS5000-IPMPX-PMA**
CS5000-IPMPX Series Standard Pole Mount Adapter, Aluminium, Stainless Steel Clamps, Payload 25 Kg -- (CS5000-IPMPX-WMA is Required)
- **CS5000-IPMPX-IR**

CS5000-IPMPX Series Standard IR Illuminator Kit with double (2) 150 mt illuminators with Nanotechnology and standard CS5000-IPMPX-IR Bracket Adapter