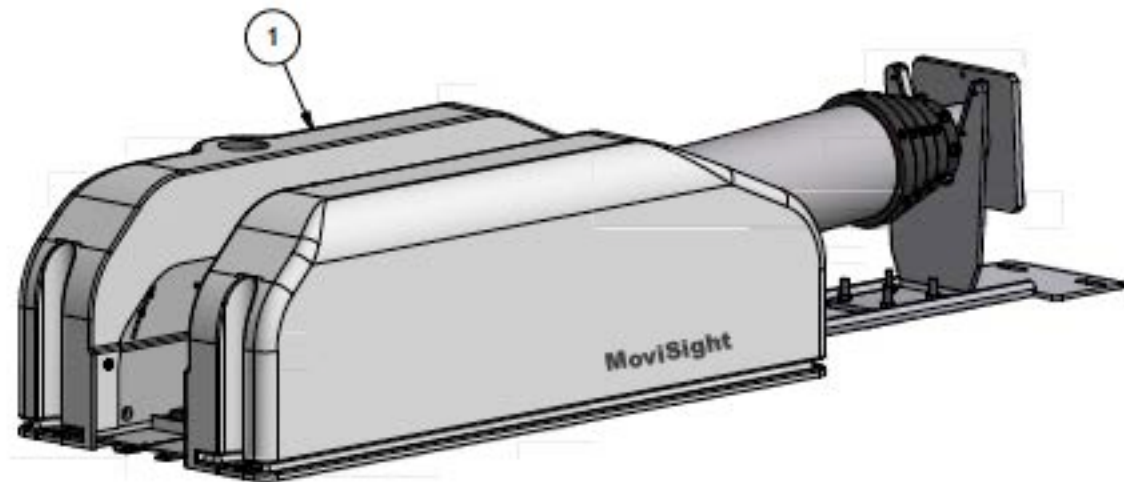
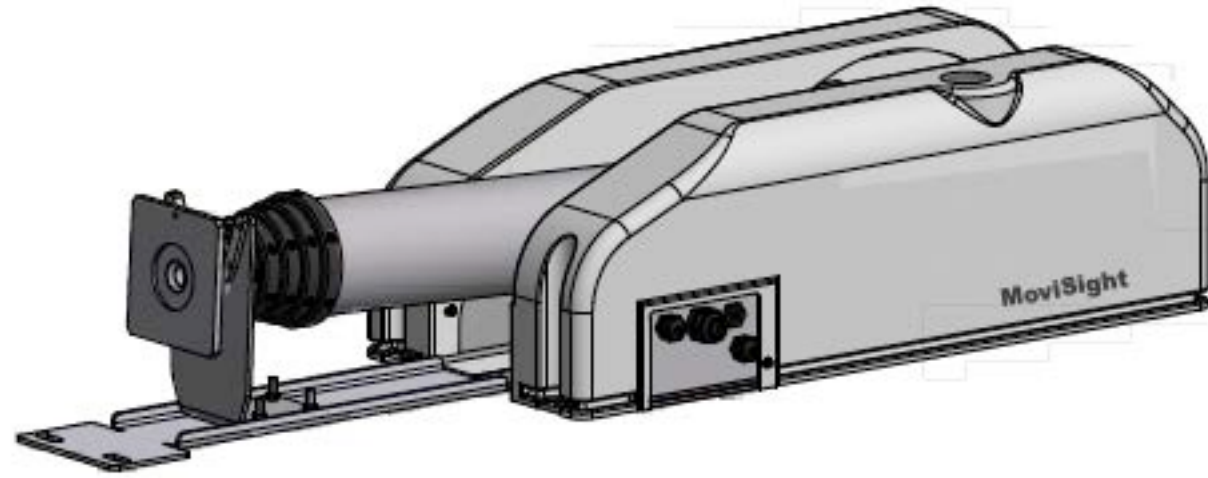


REVISION HISTORY				
ECN	REV	DESCRIPTION	DATE	APPROVED
12756	00	INITIAL RELEASE	6/04/2015	RCC



NOTE:  
 1 5246801 TO BE INSTALLED.

BOM			
ITEM	QTY	PART NUMBER	DESCRIPTION
1	1	4968903	NSP BASE ASM, 3.0-12V COMP.-RELAY PLT.
2	1	5246801	HAND HELD REMOTE, VRTCL 30FT WO/CONN
3	1	4706705	NSP LABEL KIT (NOT SHOWN)
4	1	TP-4723701	NSP MANUAL CD (NOT SHOWN)
5	1	WD-4833201	WIRING DIAGRAM

**UNLESS OTHERWISE SPECIFIED  
 DIMENSIONS ARE IN INCHES.**  
 TOLERANCES ON DECIMALS ANGLES  
 0 = ± 0.030 ± 1/2°  
 00 = ± 0.010  
 000 = ± 0.005  
 FRACTIONAL ± 1/64"  
 1. ALL INSIDE EDGES TO HAVE  
 .005" TO .035" FILLETS.  
 2. ALL OUTSIDE EDGES TO HAVE  
 .005" TO .015" CHAMFER OR RADIUS.  
 125° ON ALL MACHINED SURFACES

**PROPRIETARY AND CONFIDENTIAL**  
 THE INFORMATION CONTAINED IN THIS  
 DRAWING IS THE SOLE PROPERTY OF THE  
 MOVISIGHTCOMPANY

APPROVALS	DATE
DRAWN RCC	6/4/2015
CHECKED	

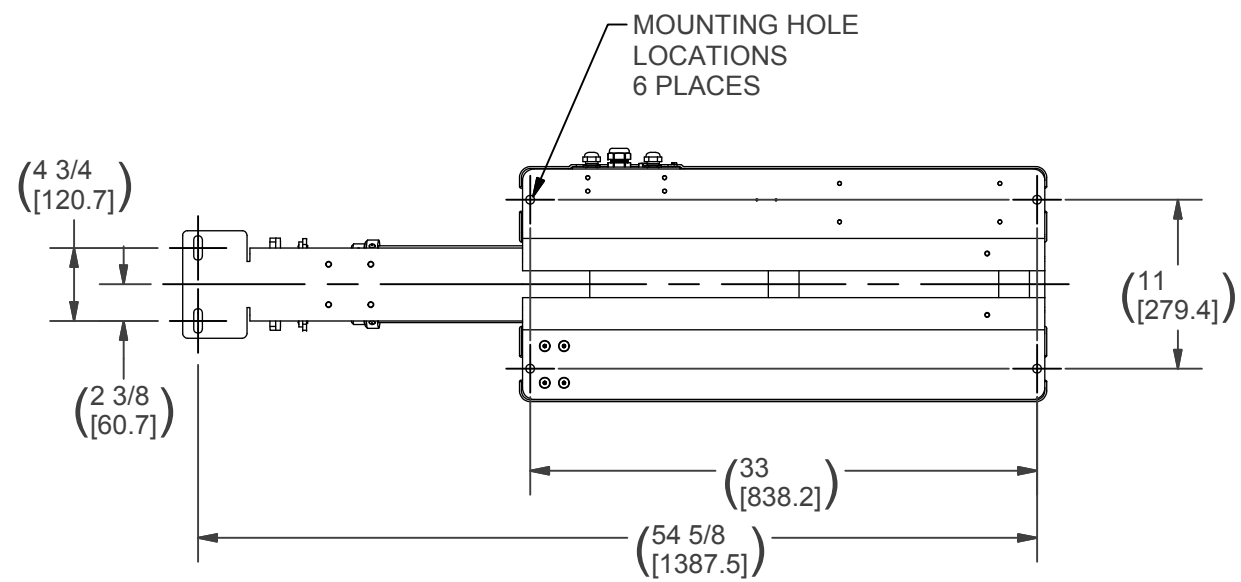
**MoviSight**  
 TITLE  
**NS 3.0 INFLX W/PLTFRM  
 12VDC-COMP**

SIZE B	DWG NO 722068000	REV 00
PN: 722068000	SHEET 1 OF 2	

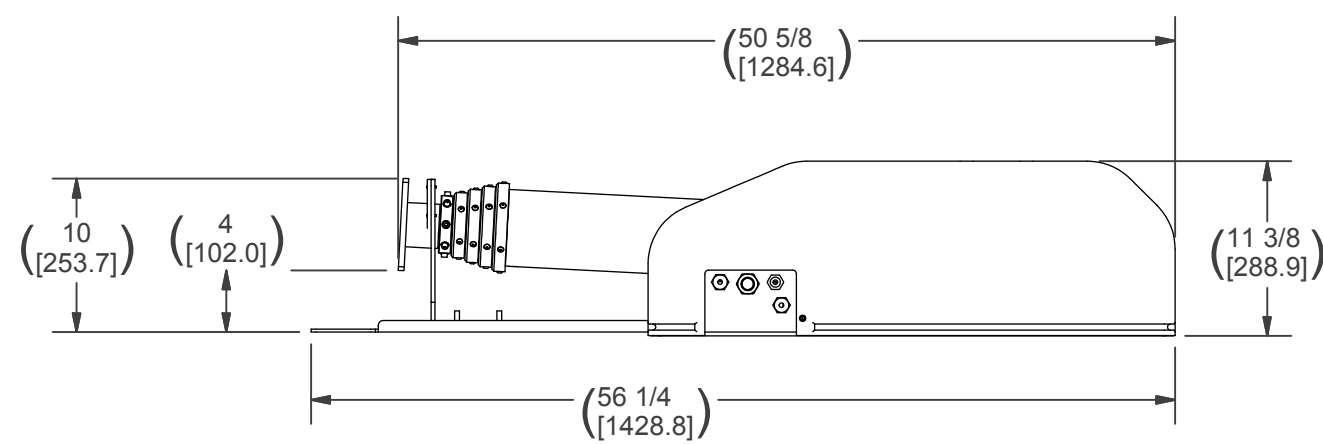
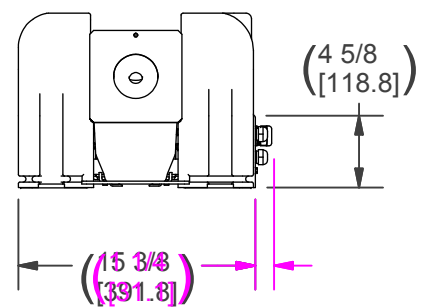
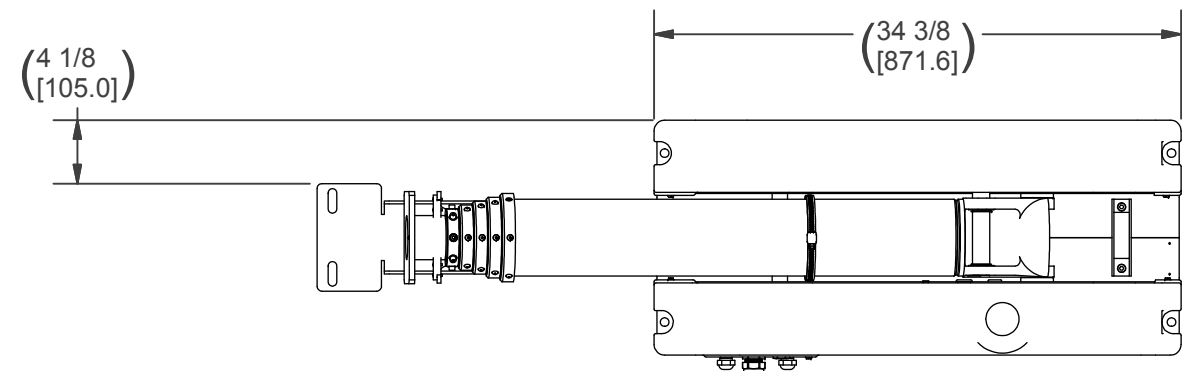
APPROX. WT:104.6 lbmass

THIRD ANGLE PROJECTION





**MOUNTING LOCATIONS**



NOTES:  
SECONDARY DIMENSIONS - MILLIMETERS NOTED IN BRACKETS.

APPROX. WT:104.6 lbmass



<b>UNLESS OTHERWISE SPECIFIED DIMENSIONS ARE IN INCHES.</b> TOLERANCES ON DECIMALS    ANGLES 0 = ± 0.030                      ± 1/2° 00 = ± 0.010 000 = ± 0.005 FRACTIONAL ± 1/64" 1. ALL INSIDE EDGES TO HAVE .005" TO .035" FILLETS. 2. ALL OUTSIDE EDGES TO HAVE .005" TO .015" CHAMFER OR RADIUS. 125√ ON ALL MACHINED SURFACES		<b>PROPRIETARY AND CONFIDENTIAL</b> THE INFORMATION CONTAINED IN THIS DRAWING IS THE SOLE PROPERTY OF THE MOVISIGHTCOMPANY .		<b>MoviSight</b> TITLE <b>NS 3.0 INFLX W/PLTFRM 12VDC-COMP</b>	
APPROVALS	DATE	SIZE	DWG NO	REV	
DRAWN RCC	6/4/2015	B	722068000	00	
CHECKED		PN:	722068000	SHEET 2 OF 2	